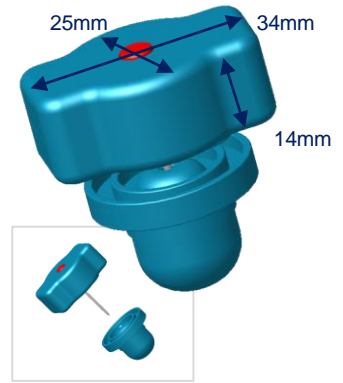


MM3003, Swine Health Tracker

Ear Tag for Activity & Body Temperature Monitoring of Swine

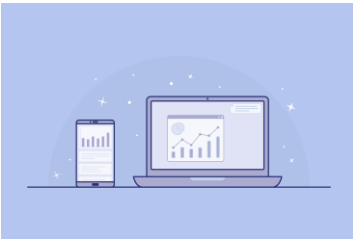


- Turnkey solution with early detection algorithm for illness
- Small form factor and light weight reducing the discomfort level of the animal due to wearing the sensor
- Easy monitoring and operation with smartphone app or Cloud



Care for Swine:

MM3003 can detect serious illness by monitoring and tracking changes in body temperature, activity, and sleep level of the animal. In addition, the MM3003 allows taking early action on behavioral issues or common conditions such as anxiety, stress or boredom.



With Timeline feature for Body temperature & activity log, the MM3003 becomes a real automated health monitoring tool in Swine farms. In addition, the Timeline provides a simple and comprehensive overview of the animal sleep behavior and other types of movements to preventively detect health problems.

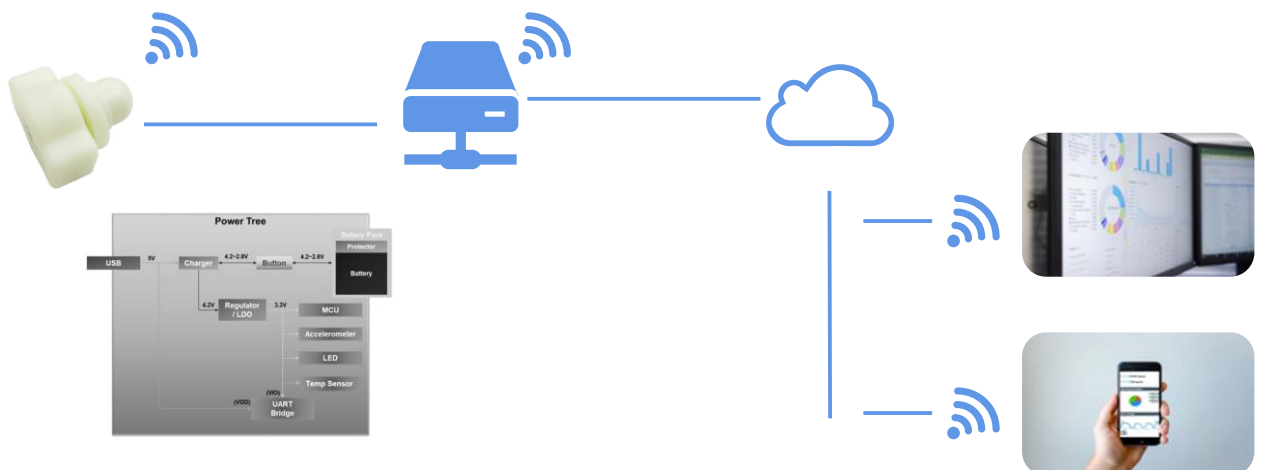
FEATURES

- Records the value of body temperature and activity level and alerts when measured data is abnormal
- 5 Levels of activity: Level 1&2: Below normal, Level 3: Normal, Level 4&5: Above normal
- Magnetic attraction type clamping structure
- Onboard LED to effortlessly locate a specific animal

MM3003 (ear tag) TECHNICAL DETAILS

Size	Male: 34x25x14mm, Female: 25x18.8x14mm
Weight	15g
Wireless Connectivity	BLE
Battery	1 CR2032 coin cell battery (1-year battery life)
Battery required	Yes (included)
Body temperature precision	±0.2°C
Detectable behaviors	Lie down, stand up, step count, activity level
Alert mechanism	Activity > 10% of normal & Temperature > 0.5°C of normal
Frequency of data transmission to gateway	Once a day
Data storage	7 days (average temperature & activity level)
Product protection grade	IP65
Operating temperature	-30 ~+55°C

SIMPLIFIED SYSTEM DIAGRAM



For any inquiries, please Contact: Sales@mcubemems.com